

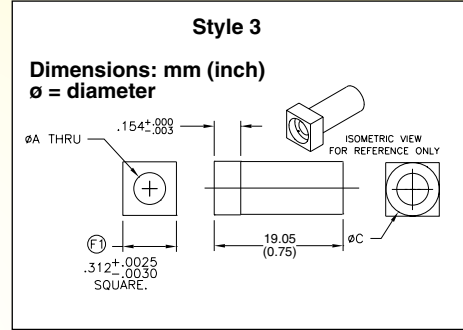
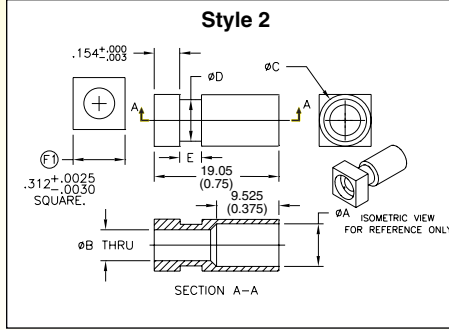
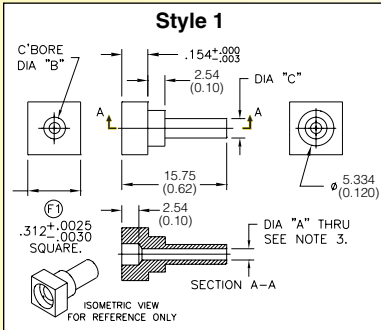
Connector Accessories



Rubber Boot – SRB
 Rated to 95°C (203°F)
 SRBS Rated to 230°C (446°F)

Rubber Boots

Model No.	Compatible Connectors
SRB	USTW, OSTW, OGP, HSTW
SRBS	USTW, OSTW, OGP, HSTW



Crimp Style Brass or SS Bushing also available



Crimp Style Bushing

To Order

Model Number	Style Type	Dia A-ID mm (inch)	Dia B mm (inch)	Dia C-OD mm (inch)	Dia D mm (inch)	Dia E mm (inch)	Compatible Connectors
(*)B-OST-CR1.5MM-(**)	1	1.57 (.062)	3.25 (.128)	2.94 (.116)	N/A	N/A	OST, OSTW, HST, HSTW, GST, UST, USTW, HFSTW, OGP, OTP, NOX, NHX, NHHX, UHX
(*)B-OST-CR062-(**)	1	1.65 (.065)	3.25 (.128)	2.94 (.116)	N/A	N/A	
(*)B-OST-CR2.0MM-(**)	1	2.05 (.081)	3.25 (.128)	2.94 (.116)	N/A	N/A	
(*)B-OST-CR093-(**)	1	2.43 (.096)	3.25 (.128)	4.69 (.185)	N/A	N/A	
(*)B-OST-CR3.0MM-(**)	1	3.09 (.122)	3.96 (.156)	4.69 (.185)	N/A	N/A	
(*)B-OST-CR125-(**)	1	3.25 (.128)	3.96 (.156)	4.69 (.185)	N/A	N/A	
(*)B-OST-CR4.5MM-(**)	2	4.59 (.181)	4.36 (.172)	6.35 (.250)	5.33 (.210)	1.77 (.070)	OST, OSTW, HST, HSTW, GST, UST, OGP, HFSTW, USTW, OTP, NOX, NHX, NHHX, UHX
(*)B-OST-CR188-(**)	2	4.85 (.191)	4.36 (.172)	6.35 (.250)	5.33 (.210)	1.77 (.070)	
(*)B-OST-CR5.5MM-(**)	2	5.58 (.220)	4.36 (.172)	7.87 (.310)	5.33 (.210)	1.77 (.070)	
(*)B-OST-CR6.0MM-(**)	2	6.09 (.240)	4.36 (.172)	7.87 (.310)	5.33 (.210)	1.77 (.070)	
(*)B-OST-CR250-(**)	2	6.42 (.253)	4.36 (.172)	7.87 (.310)	5.33 (.210)	1.77 (.070)	
(*)B-DTC-CR250-(**)	3	6.09 (.240)	N/A	7.87 (.310)	N/A	N/A	DTC
(*)B-DST-CR6.0MM-(**)	3	6.42 (.253)	N/A	7.87 (.310)	N/A	N/A	

Ordering Example: SB-OST-CR250-100, pkg of 100 crimp style stainless steel bushing for 0.250" diameter probe.

(*) Insert "B" for brass or "S" for stainless steel.

(**) Insert quantity: "10" or "100".

CR number indicates compatible probe diameter.

To order crimping tool for use with these bushings, specify model number **BB-OST-CT**.

Accessories for Cable Clamp Caps

Use with OSTW Standard Size Ultimate Connectors

Clamp Grommets Silicone 0.25" Long



Model No.	Inside Dia mm (inch)	Outside Dia mm (inch)	Length mm (inch)	Compatible Connectors
SSRT-CC-018-(*)	3.18 (0.125)	4.77 (0.188)	6.35 (0.250)	OSTW-CC male or female
SSRT-CC-332-(*)	2.38 (0.094)			
SSRT-CC-116-(*)	1.59 (0.063)			
SSRT-CC-132-(*)	0.79 (0.032)			

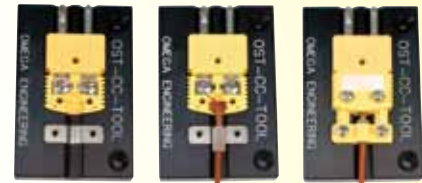
*Insert pkg quantity: select from 5, 10, 50, 100.

Center number denotes grommet inside diameter for 0.75" long strain relief tubing

OST-CC-TOOL shown smaller than actual size.



All assembly completed from top side.
 Prep wire: Straight strip no loop necessary
 1st: Load back plate and connector body
 2nd: Terminate wire
 3rd: Tighten 4 captive screws



Assembly Tool

Model No.	Compatible Connectors
OST-CC-TOOL	OST male or female
SMP-CC-TOOL	SMP male or female