

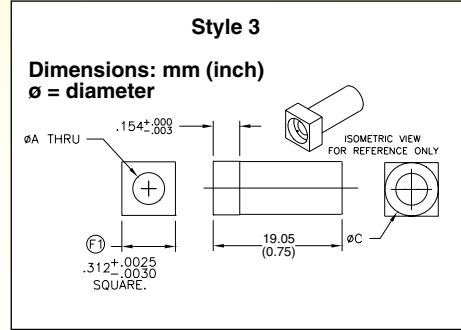
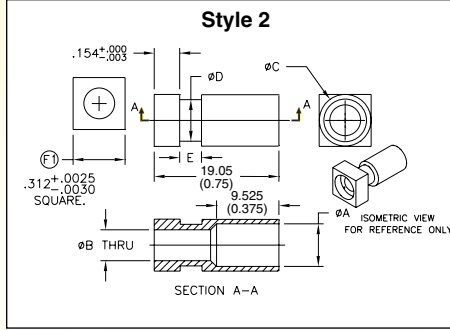
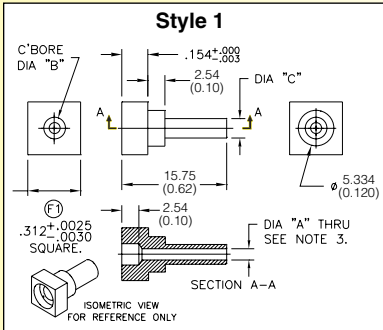
# Connector Accessories



**Rubber Boot – SRB**  
 Rated to 95°C (203°F)  
 SRBS Rated to 230°C (446°F)

## Rubber Boots

Model No.	Compatible Connectors
SRB	USTW, OSTW, OGP, HSTW
SRBS	USTW, OSTW, OGP, HSTW



**Crimp Style Brass or SS Bushing also available**



## Crimp Style Bushing

### To Order

Model Number	Style Type	Dia A-ID mm (inch)	Dia B mm (inch)	Dia C-OD mm (inch)	Dia D mm (inch)	Dia E mm (inch)	Compatible Connectors
(*)B-OST-CR1.5MM-(**)	1	1.57 (.062)	3.25 (.128)	2.94 (.116)	N/A	N/A	OST, OSTW, HST, HSTW, GST, UST, USTW, HFSTW, OGP, OTP, NOX, NHX, NHHX, UHX
(*)B-OST-CR062-(**)	1	1.65 (.065)	3.25 (.128)	2.94 (.116)	N/A	N/A	
(*)B-OST-CR2.0MM-(**)	1	2.05 (.081)	3.25 (.128)	2.94 (.116)	N/A	N/A	
(*)B-OST-CR093-(**)	1	2.43 (.096)	3.25 (.128)	4.69 (.185)	N/A	N/A	
(*)B-OST-CR3.0MM-(**)	1	3.09 (.122)	3.96 (.156)	4.69 (.185)	N/A	N/A	
(*)B-OST-CR125-(**)	1	3.25 (.128)	3.96 (.156)	4.69 (.185)	N/A	N/A	
(*)B-OST-CR4.5MM-(**)	2	4.59 (.181)	4.36 (.172)	6.35 (.250)	5.33 (.210)	1.77 (.070)	OST, OSTW, HST, HSTW, GST, UST, OGP, HFSTW, USTW, OTP, NOX, NHX, NHHX, UHX
(*)B-OST-CR188-(**)	2	4.85 (.191)	4.36 (.172)	6.35 (.250)	5.33 (.210)	1.77 (.070)	
(*)B-OST-CR5.5MM-(**)	2	5.58 (.220)	4.36 (.172)	7.87 (.310)	5.33 (.210)	1.77 (.070)	
(*)B-OST-CR6.0MM-(**)	2	6.09 (.240)	4.36 (.172)	7.87 (.310)	5.33 (.210)	1.77 (.070)	
(*)B-OST-CR250-(**)	2	6.42 (.253)	4.36 (.172)	7.87 (.310)	5.33 (.210)	1.77 (.070)	
(*)B-DTC-CR250-(**)	3	6.09 (.240)	N/A	7.87 (.310)	N/A	N/A	DTC
(*)B-DST-CR6.0MM-(**)	3	6.42 (.253)	N/A	7.87 (.310)	N/A	N/A	

(\*) Insert "B" for brass or "S" for stainless steel.

(\*\*) Insert quantity: "10" or "100".

CR number indicates compatible probe diameter.

To order crimping tool for use with these bushings, specify model number BB-OST-CT.

Ordering Example: SB-OST-CR250-100, pkg of 100 crimp style stainless steel bushing for 0.250" diameter probe.

# Accessories for Cable Clamp Caps

## Use with OSTW Standard Size Ultimate Connectors

### Clamp Grommets Silicone 0.25" Long



Model No.	Inside Dia mm (inch)	Outside Dia mm (inch)	Length mm (inch)	Compatible Connectors
SSRT-CC-018-(*)	3.18 (0.125)	4.77 (0.188)	6.35 (0.250)	OSTW-CC male or female
SSRT-CC-332-(*)	2.38 (0.094)			
SSRT-CC-116-(*)	1.59 (0.063)			
SSRT-CC-132-(*)	0.79 (0.032)			

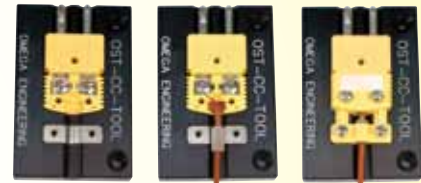
\*Insert pkg quantity: select from 5, 10, 50, 100.

Center number denotes grommet inside diameter for 0.75" long strain relief tubing

OST-CC-TOOL shown smaller than actual size.



All assembly completed from top side.  
 Prep wire: Straight strip no loop necessary  
 1st: Load back plate and connector body  
 2nd: Terminate wire  
 3rd: Tighten 4 captive screws



### Assembly Tool

Model No.	Compatible Connectors
OST-CC-TOOL	OST male or female
SMP-CC-TOOL	SMP male or female