

DIN STYLE CONNECTORS FOR TRANSDUCERS



CX5301, shown actual size.



CX5300, shown actual size.



CX5302, shown actual size.

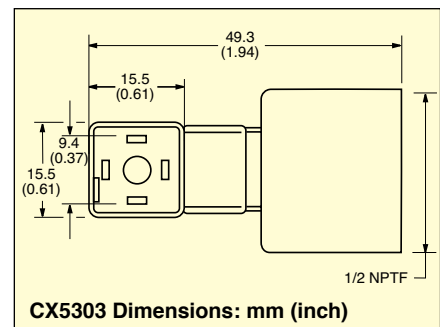
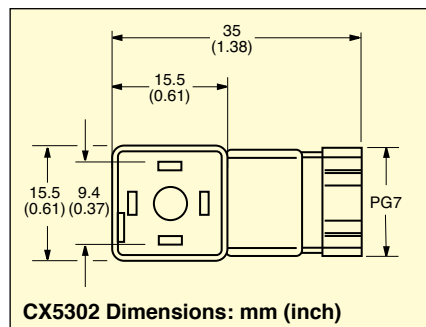
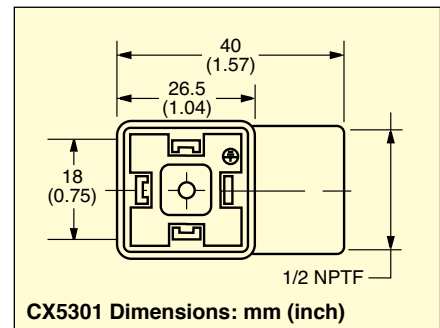
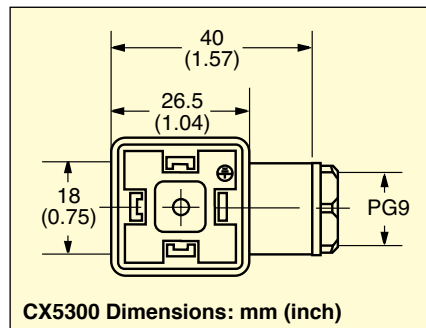


CX5300 Series



- ✔ Use Where Service and Rapid Installation are Necessary
- ✔ Made According to DIN 43650/ISO 4400 Standards
- ✔ Strain-Relief Gland or Conduit-Fitting Design

The CX5300 Series connectors are made according to DIN 43650/ISO 4400 standards. They are used as protective electrical enclosures for electrical connections, primarily on pressure transducers and solenoid valves.



To Order	
MODEL NO.	SIZE/DESCRIPTION
CX5300	DIN 43650 A connector, 4 contacts (one is a GND) on 18 mm spacing with a PG9 gland
CX5301	DIN 43650 A connector, 4 contacts (one is a GND) on 18 mm spacing with a 1/2" conduit fitting
CX5302	Micro mini DIN connector, 4 contacts on 9.4 mm spacing with a PG7 gland
CX5303	Micro mini DIN connector, 4 contacts on 9.4 mm spacing with a 1/2" conduit fitting

Ordering Example: CX5300, DIN style connector with 4 contacts plus ground terminal and PG9 cable gland.