

Compact Rugged Pressure Transmitters



**15 to 5000 psi, 1 to 345 bar
4 to 20 mA Output**

PX119 Series



- ✓ Low Cost
- ✓ Compact Size
- ✓ 0.50% BFSL Accuracy
- ✓ All Stainless Steel Body

The PX119 pressure transmitter series is ideally suited for material handling, industrial and mobile equipment applications where space constraints require a small body size. The body is machined from a single piece of stainless steel to provide added protection for the internal electronics. A piezoresistive ceramic sensor along with ASIC signal conditioning provide an excellent thermally compensated output.

Specifications

Accuracy: 0.50% BFSL Accuracy

Pressure Range: 15 to 5000 psi (345 bar)

Output/Supply Voltage: 4 to 20 mA:
8 to 30 Vdc

Output Connections: DIN 43650C
(mini DIN)

Output Wiring: Pin 1: Supply +,
Pin 2: Supply -

Long Term Drift: <0.3% FS
@ 25°C (77°F)

Thermal Error:

7.5 psi ≥ 100 psi: 0.01% FS/°F
(0.018% FS/°C)

100 psi > 400 psi: 0.009% FS/°F
(0.016% FS/°C)

400 psi ≥ 1000 psi: 0.011% FS/°F
(0.019% FS/°C)

1000 psi > 3000 psi: 0.012% FS/°F
(0.021% FS/°C)

3000 psi ≥ 5000 psi: 0.018% FS/°F
(0.028% FS/°C)

Compensated Temperature:
0 to 85°C (32 to 185°F)

Operating Temperatures:
-40 to 135°C (-40 to 257°F)

Process Connection: ¼ NPT male
Construction: 304 SS

Wetted Materials: 304 SS and
Ceramic Al₂O₃, NBR Standard

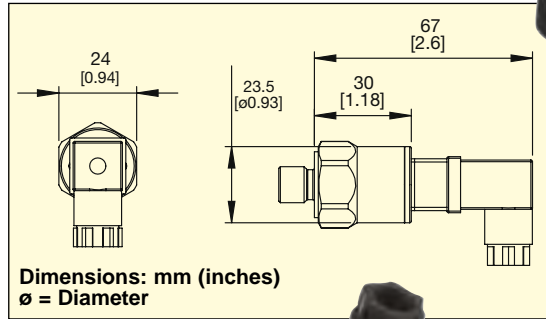
Vibration: 10 g (20 to 2000 Hz) for
<58 psi (4 bar); 20 g (20 to 500 Hz) for
ranges >58 psi (4 bar)

Protection: Overvoltage, short
circuit, reverse polarity

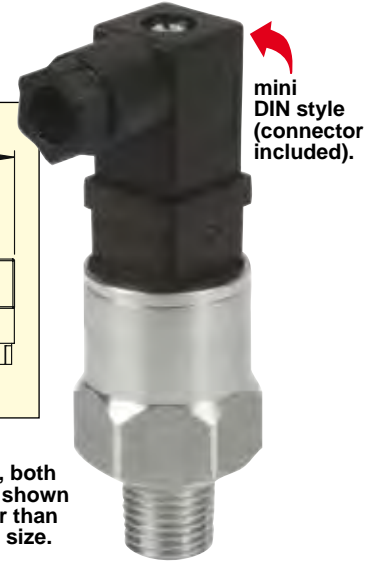
Response Time: 1 ms

Ingress Protection: IP65

Weight: 70 g (0.15 lb)



PX119, both models shown smaller than actual size.



To Order

| Ranges | | % Proof (FS) | % Burst (FS) | mini DIN Connection |
|--------------------------|-----------|--------------|--------------|---------------------|
| psi | bar | | | |
| Absolute Pressure | | | | |
| 0 to 15 | 0 to 1 | 193.4% | 386.7% | PX119-015AI |
| 0 to 30 | 0 to 2.1 | 193.4% | 241.7% | PX119-030AI |
| 0 to 100 | 0 to 6.9 | 290.1% | 362.6% | PX119-100AI |
| 0 to 150 | 0 to 10.3 | 193.4% | 241.7% | PX119-150AI |
| 0 to 300 | 0 to 21 | 193.4% | 241.7% | PX119-300AI |
| 0 to 600 | 0 to 42 | 241.7% | 290.1% | PX119-600AI |
| 0 to 1000 | 0 to 69 | 290.1% | 362.6% | PX119-1KAI |
| 0 to 1500 | 0 to 103 | 193.4% | 241.7% | PX119-1.5KAI |
| 0 to 3000 | 0 to 207 | 193.4% | 241.7% | PX119-3KAI |
| 0 to 5000 | 0 to 345 | 188.5% | 188.5% | PX119-5KAI |
| Gage Pressure | | | | |
| 0 to 15 | 0 to 1 | 193.4% | 386.7% | PX119-015GI |
| 0 to 30 | 0 to 2.1 | 193.4% | 241.7% | PX119-030GI |
| 0 to 100 | 0 to 6.9 | 290.1% | 507.6% | PX119-100GI |
| 0 to 150 | 0 to 10.3 | 193.4% | 338.4% | PX119-150GI |
| 0 to 300 | 0 to 21 | 193.4% | 338.4% | PX119-300GI |
| 0 to 600 | 0 to 42 | 241.7% | 362.6% | PX119-600GI |
| 0 to 1000 | 0 to 69 | 290.1% | 362.6% | PX119-1KGI |
| 0 to 1500 | 0 to 103 | 193.4% | 241.7% | PX119-1.5KGI |
| 0 to 3000 | 0 to 207 | 193.4% | 217.5% | PX119-3KGI |
| 0 to 5000 | 0 to 345 | 188.5% | 188.5% | PX119-5KGI |

Ordering Examples: PX119-3KGI, 3000 psi gage pressure transmitter with 4 to 20 mA output and mini DIN termination.

PX119-015AI, 15 psi absolute pressure transmitter with 4 to 20 mA output and mini DIN termination.

Accessories

| Model No. | Description |
|---------------------|---|
| CA-319-4PC24-XXX-WP | Vented cable used for PX119 ≤100 psig, terminated in a clean dry area that is open to atmosphere for correct operation* |
| CA-319-4PC24-XXX | Standard cable for PX119 >100 psig and all absolute ranges, terminated in a dry location or sealed to prevent water from getting into the cable/sensor* |
| DP8PT | PLATINUM™ Series ¼ DIN 4-digit single display panel meter |

*All PX119 are vented through a hole in the connector and through the mating connector. OMEGA recommends purchase and use of ready-made Cable Assemblies using part # structure "CA-319-4PC24-XXX-WP" (and non-WP version) as shown above, where "XXX" is the length in feet of the desired cable (e.g. "030" stands for 30 ft).